



CIVIL SELF-DEFENSE WEAPON

TACTICAL REMOTE-CONTACT ELECTROSHOCK DEVICE

ZEUS DK.111

Models: ZEUS-L, ZEUS-M, ZEUS-S

User`s manual
UM 011213.021 TU

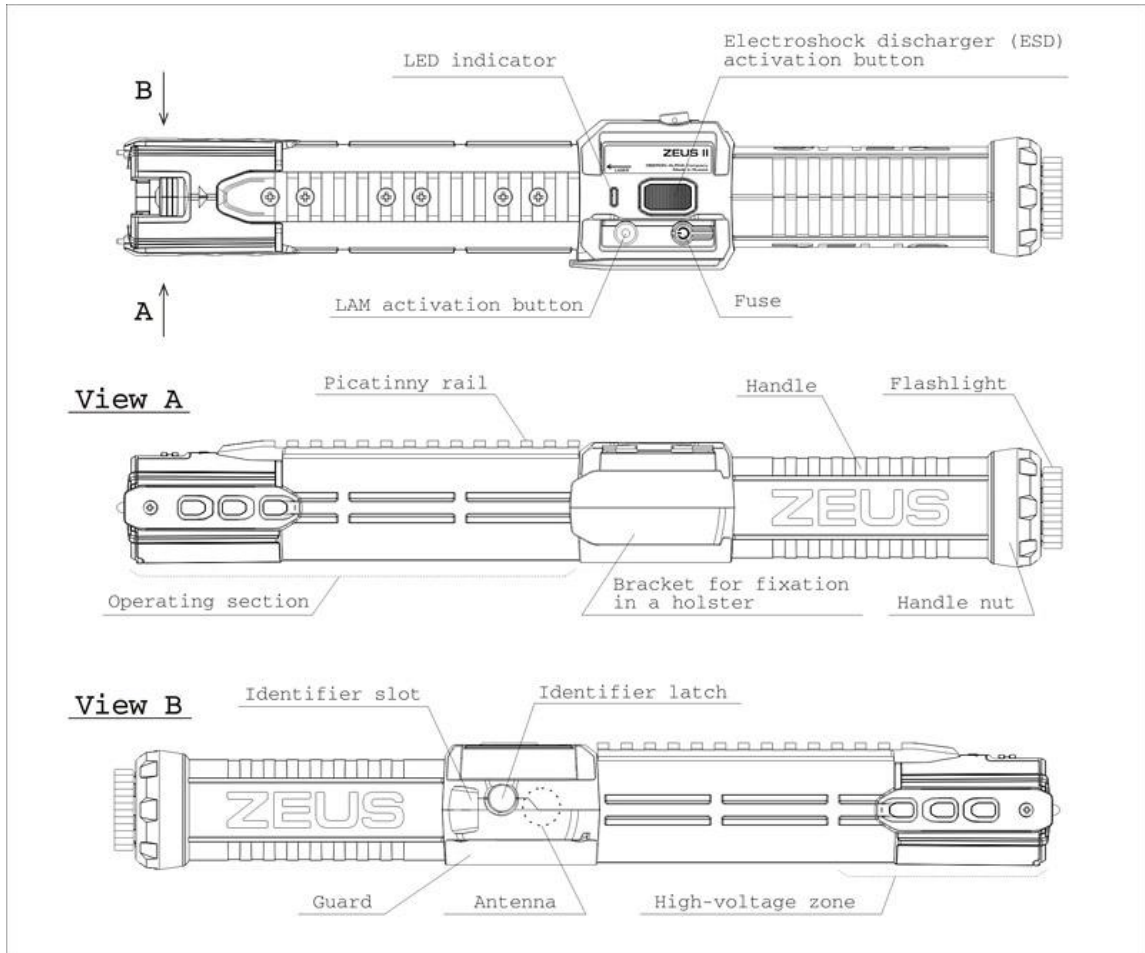
GOST R 50940-96
AISHP.011213.012 TU

ZEUS II. TECHNICAL CHARACTERISTICS. MODELS.

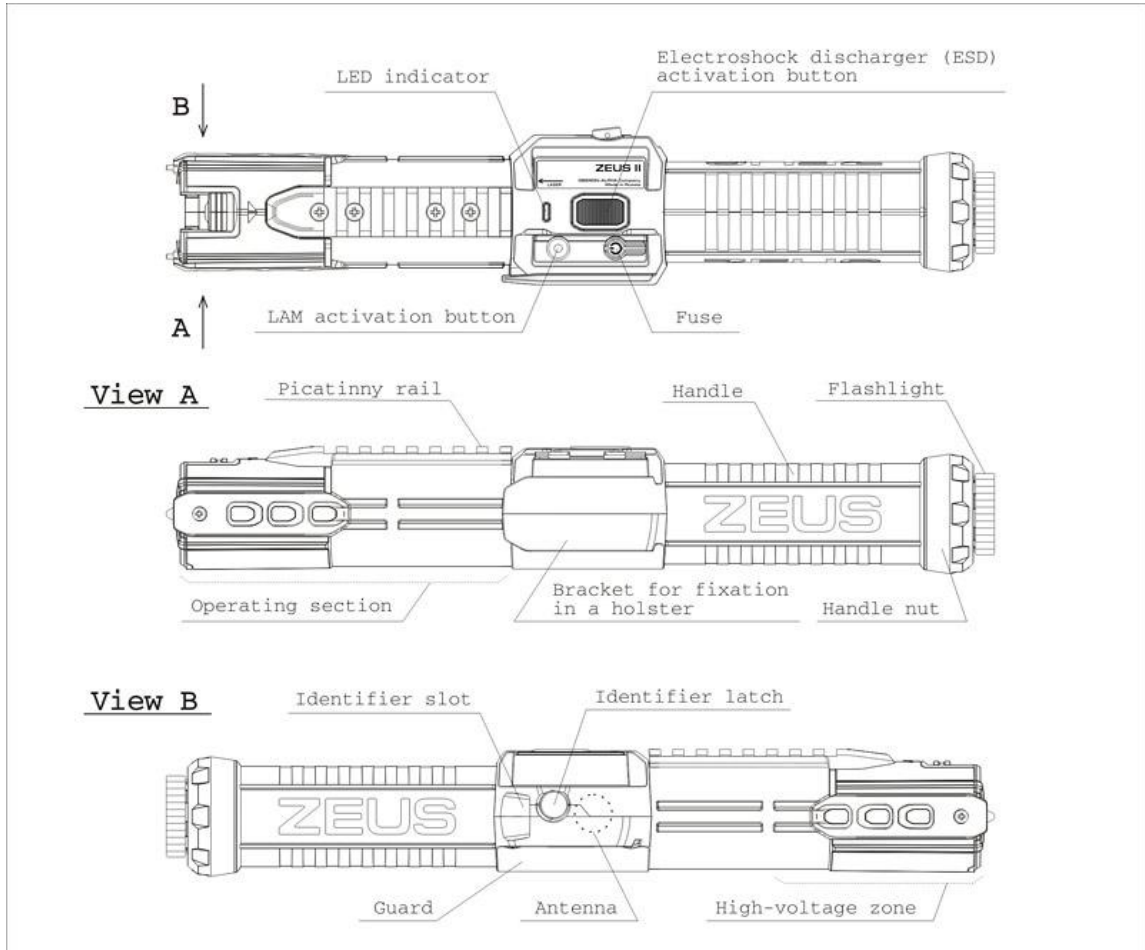
PARAMETER	MODEL		
	ZEUS-L a model with identification system	ZEUS-M a model with identification system	ZEUS-S a model without identification system
-Outcome voltage on the working electrodes, kV	90 - 150*	90 - 150*	90 - 150*
-Power of influence, W	3 - 30*	3 - 30*	3 - 30*
-Operational in the range of temperatures from -15 °C to +50 °C and relative humidity up to 98% at the temperature +25 °C	Yes	Yes	Yes
-Multiple impacts, vibration resistance GOST 30631 for a group of mechanical execution M34, stiffness degree 11a	Yes	Yes	Yes
-Weight, kg	0,72±0,03	0,65±0,03	0,58±0,03
-Dimensions Length-x-Height-x-Breadth (without pin latch), mm	405(±5)x64(±2)x53(±2)	355(±5)x64(±2)x53(±2)	305(±5)x64(±2)x53(±2)
-Distance between the working electrodes, mm	38	38	38
-Recommended duration of a single influence on an object, sec	3	3	3
-Recommended duration of a pause between single influences on an object, sec	10	10	10
-Checking mode: cyclic (Discharge – Pause). Discharge – not more than 1 sec. Pause – not less than 5 sec.	Yes	Yes	Yes
-Maximum allowed decrease of influence power, not more than %	25	25	25
-Cycles of operation for a fully charged battery, not less than	80	80	80
-Supply element: removable rechargeable LiPOL accumulator battery 11.1V, 600 mAh	Yes	Yes	Yes
-Cycles of battery charging, not less than	500	500	500
-Durability, years	3	3	3
-Identification system	Yes	Yes	No
-Flashlight ZS-L-9	Yes	Yes	Yes
-Operation resource of ZS-L-9 flashlight for a fully charged battery, not less than, hours	6	6	6
-Operation length of Picatinny mounting rail, mm	130	80	-
-Laser aiming module	Yes	Yes	Yes
-Energy consumption in mode “Safety switch is off, electroshock discharger isn`t on, flashlight and laser are off”, not more than, mA	25	25	5

*individually configured according to the contract.

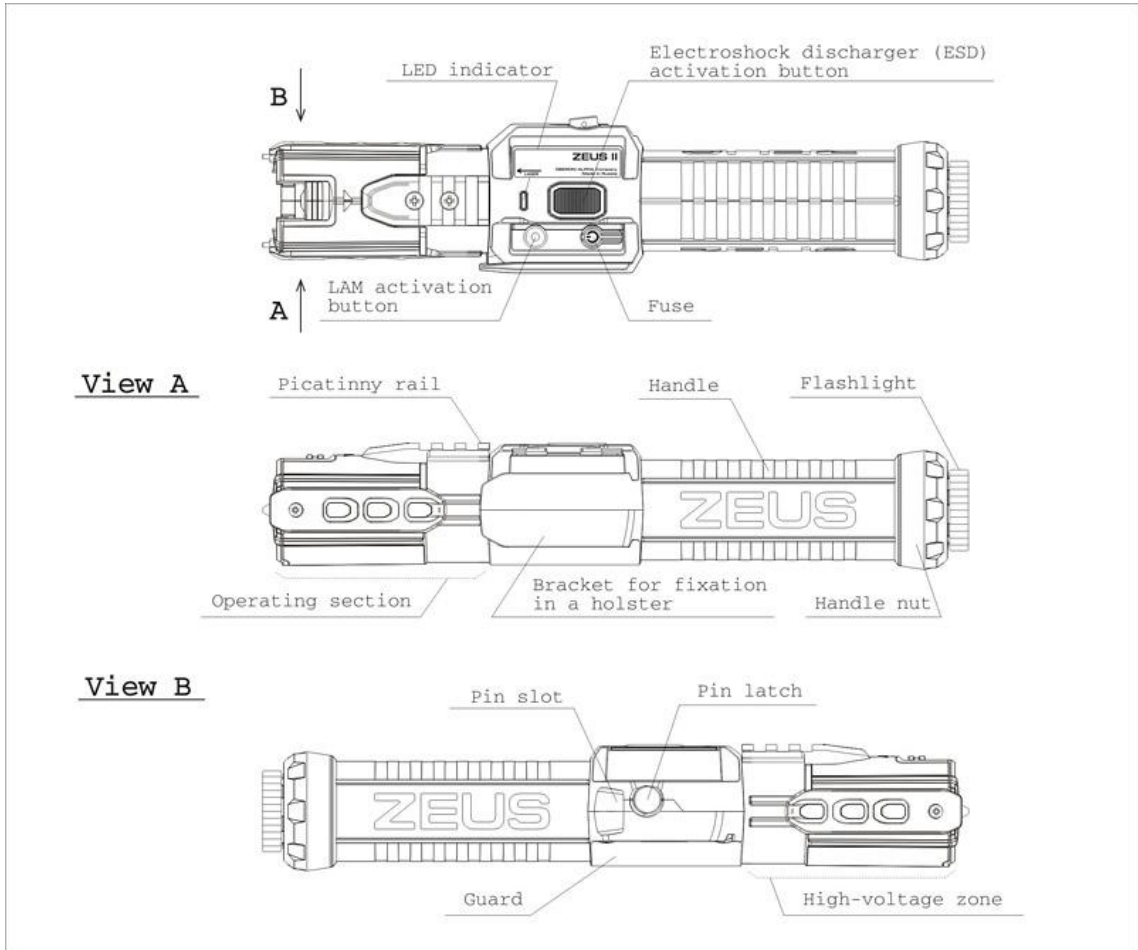
ZEUS II. MODEL ZEUS L



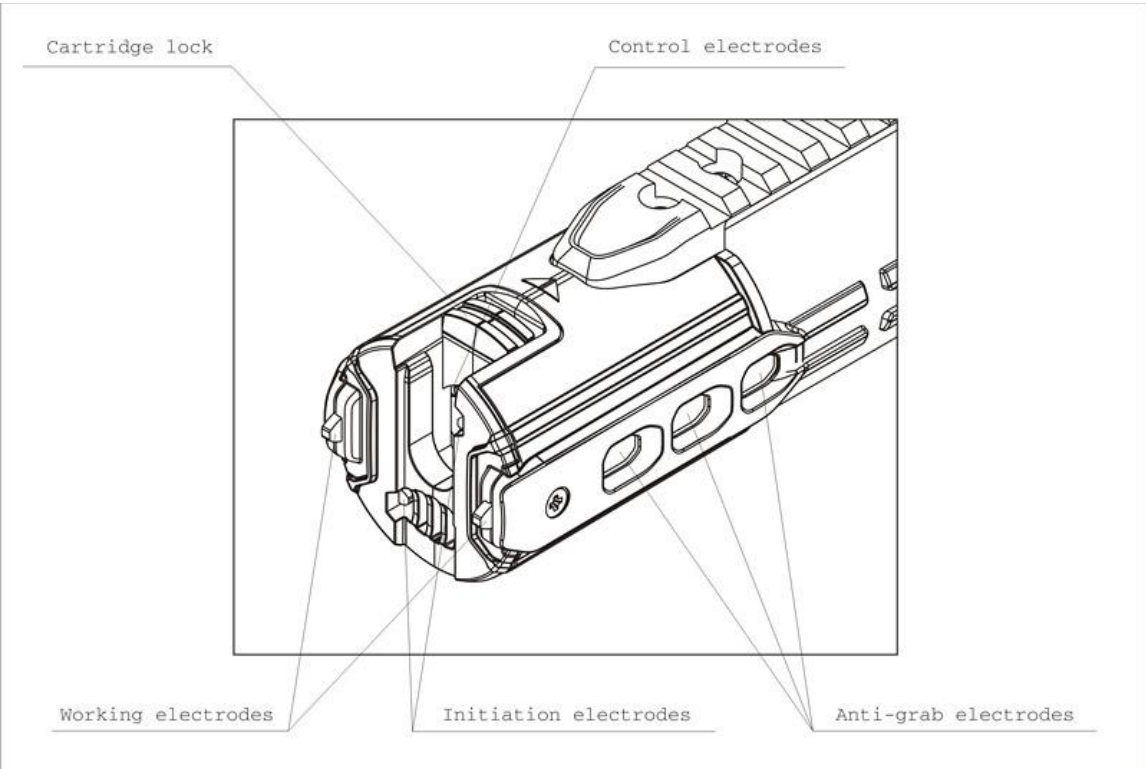
ZEUS II. MODEL ZEUS M



ZEUS II. MODEL ZEUS S



ZEUS II. HIGH-VOLTAGE ZONE



Standard delivery set for models ZEUS-L, ZEUS-M (models with identification system).

- ZEUS II – 1pc.
- Holster– 1pc.
- Identifier with a hand belt – 1pc.
- Master-card – 1pc.
- Accumulator battery LIPOL (rechargeable) – 1pc.

- LED flashlight ZS-L-9 – 1pc.
- Charging device ZS-11.1-600 – 1pc.
- Operation manual (with a guarantee card and passport) – 1pc.
- Package – 1pc.

Standard delivery set for model ZEUS-S (models without identification system).

- ZEUS II – 1pc.
- Holster– 1pc.
- Pin with a hand belt – 1pc.
- Accumulator battery LIPOL (rechargeable) – 1pc.
- LED flashlight ZS-L-9 – 1pc.
- Charging device ZS-11.1-600 – 1pc.
- Owner`s manual (with a guarantee card and passport) – 1pc.
- Package – 1pc.

ZEUS II. PURPOSE.

Tactical electroshock weapon ZEUS is a weapon, intended for:

- contact or remote application by organisations with special statutory tasks: police departments, security companies` employees, collector services, etc.
- ZEUS II is a special means of behavior control that allows normalizing the situation in the shortest time possible;
- individual defense during the offenders and animal attacks with contact or remote influence on the attacker with the series of electric discharges of high frequency;
- psychological influence on the attacker. The bright white-blue glow of electric discharges between the control electrodes and a characteristic sound of electric discharges effectively stop the offender, especially in the dark or in weak lighting (elevator, entrance).

Electric parameters of electroshock weapon ZEUS are safe for life and health of the influenced object and don`t lead to death or irreversible pathologic changes in the influenced object`s organism if the exploitation rules are followed.

ZEUS II: Class 1

According to the tactic purpose, additional autonomous devices can be set on the Picatinny mounting rail (LED flashlights, laser flashlights, cameras, etc.) ! Electroshock weapons made in Russia can be bought and carried without a license (according to Federal law №150-FL «About weapons», article 13.)

ZEUS II. WARNINGS.

ATTENTION! It is forbidden to develop, retune, change functional capabilities of ZEUS II.

ATTENTION! It is forbidden to exploit ZEUS II if a discharge button is damaged or the seal is damaged. ZEUS II can be opened, repaired and sealed only by the specialists of the manufacturing company.

ATTENTION! Do not place hands next to the high voltage zone or to the electrodes when the electroshock discharger is on.

ATTENTION! The devices that are mounted on Picatinny rail should be placed outside the high voltage zone.

ATTENTION! Do not store ZEUS II with the safety fuse off.

ATTENTION! During operation (formation of electric discharge) the device consumes very high current, so the rules of checking the operation should be followed strictly.

ATTENTION! Do not heat ZEUS for long periods of time (for example, don`t leave it in the sun). Excessive heating can shorten the durability of the battery.

ATTENTION! Do not keep the device in the negative temperature for long periods of time (in the car or in unheated room in winter) – it can shorten the durability of the battery.

ATTENTION! Do not activate ZEUS II if the battery charge is low.

ATTENTION! Laser aiming module has the source of laser radiation. During laser exploitation do not point the laser in the eyes.

ATTENTION! During operation check do not activate the electroshock discharger for more than 1 second.

ATTENTION! Do not apply ZEUS while standing barefoot on the concrete floor, grass, etc.

ATTENTION! Keep out of the reach of children.

ATTENTION! Do not leave the device with the safety off for long periods of time (more than two days).

ATTENTION! Operation of the weapon can affect the operation of other electric devices (because of magnetic pickup), therefore it is recommended not to switch the device on next to the computers, medical equipment, etc.

ATTENTION! Do not switch the device on in places with explosive atmosphere, places of explosive demolitions, places with warning signs – gas stations, etc.

ATTENTION! Do not switch the device on next to gas or chemical compounds.

ATTENTION! Do not dismantle the battery and avoid creating short circuits on its contacts.

ATTENTION! Service application should be justified by impossibility of situation control and detention of a suspect without weapon application.

ATTENTION! Civil application should be justified by the impossibility of self-defense with other means.

ATTENTION! It is strictly forbidden to apply the weapon on a person continuously for more than 3 seconds.

ATTENTION! It is strictly forbidden to apply the weapon to people under 16 years old, pregnant women and people with psychic illnesses.

ATTENTION! Striking blows with electroshock baton ZEUS II can lead to serious injuries, including the injuries that are incompatible with life. It is forbidden to apply excessive physical influence to the object.

ATTENTION! Application of ZEUS can cause the influenced object to lose balance and fall. This can lead to serious injuries. At the highest risk is a person who:

- Can lose balance and get a head injury caused by a fall;
- Is on an unstable or elevated surface (e.g., ladder);
- Has limited ability to protect himself during the fall (e.g., cuffed or immobilized);
- Can fall on a sharp object (e.g., is holding a knife or a sharp object is on the ground);
- Is in motion;
- Is driving or is located on a moving transport vehicle (e.g., car, bicycle, train).

ATTENTION! Before loading a cartridge or a magazine make sure the high-voltage zone is undamaged.

ATTENTION! While loading and unloading the cartridges and magazines, aim them away from yourself.

ATTENTION! While working with cartridges and magazines, consult their operation manuals. The exploitation rules and warnings are listed in their operation manuals.

ATTENTION! Disregarding the application instructions of electroshock weapon as well as signal cartridges, cartridges of distant electric defeat, electric charge transportation units can lead to injuries or death of the influenced object.

ATTENTION! ZEUS II with an installed cartridge/magazine is traumatic. Do not point it at the person unless you intend to shoot.

ZEUS II. CONSTRUCTION.

Electroshock weapon ZEUS II is constructed in a shock-resistant case. The base is a glass fiber reinforced plastic, placed on it are:

-Handle. Intended for holding the device during exploitation and application. A nut of battery and LED flashlight ZS-L-9 fixation is screwed on the back side of the handle. The nut has a bigger diameter than the handle to provide a sure hold of the device during exploitation and application.

-Guard. Located in the front side of the handle. The guard has: safety fuse, laser switch, laser aiming module, LED indication, ergonomic silicone electroshock discharger activation button, identifier slot (for models ZEUS-L, ZEUS-M), identifier latch (for models ZEUS-L, ZEUS-M), antenna (inner reader-receiver) for registering master-card/identifier (for models ZEUS-L, ZEUS-M), pin slot (for model ZEUS-S), pin latch (for model ZEUS-S).

-Picatinny mounting rail. Picatinny rail is located on the operating section of the weapon and is fixed with special screws. Picatinny rail is intended for mounting additional autonomous devices: military flashlights, cameras, etc.

All metal fixation details are made from corrosion-proof steel with covering.

-High-voltage zone. Includes the cartridge lock, control electrodes, working electrodes, anti-grab electrodes, initiation electrodes. All electrodes are made from corrosion-proof steel with covering.

*Cartridge lock is intended for fixation of Signal cartridges, Electric current transportation units, and another means of remote influence with bayonet locks (magazines of remote electric defeat, cartridges of remote electric defeat)

*Control electrodes are located in the inner cavity of the high-voltage zone and provide a blank discharge after the initiation of remote influence means.

*Working electrodes are intended for contact electrical influence on the suspect with electroshock discharger.

*Anti-grab electrodes are intended for a safe application of ZEUS II for an operator. Anti-grab electrodes are under voltage during the operation of electroshock discharger and hit an offender with electric discharge of high voltage if the attempt of snatching the device from the operator.

*Initiation electrodes are intended for initiation of remote influence means and the following transfer of the high-voltage electric impulses to the aim.

ZEUS II. HOLSTER.

ZEUS II is completed with a special fixation holster for carrying the device on the belt (width of the belt is not more than 50mm).

Construction of the holster doesn't impede carrying ZEUS II with devices mounted on the Picatinny rail.



ZEUS II. TACTICAL PICATINNY MOUNTING RAIL.

Picatinny mounting rail is a rail bracket that is used on the various kinds of firearms to provide unified mounting for aiming units and other devices, including tactical flashlights, laser aiming modules, etc. Military standard MIL-STD-1913 is written and published by the state Picatinny Arsenal, USA. Distributed and used according to the Standardization Agreement. Picatinny rail as a bracket for mounting tactical devices is installed for the first time in tactical electroshock weapon ZEUS II (company OBERON-ALPHA).

ATTENTION! The devices that are mounted on Picatinny rail should be placed outside the high voltage zone.

ATTENTION! The safety should be on when the devices are being mounted on the Picatinny rail.

ATTENTION! Picatinny rail on ZEUS-S is a decorative element that isn't intended for mounting devices.

ZEUS II. LiPOL ACCUMULATOR BATTERY.

A removable LiPOL accumulator battery is used in electroshock weapon ZEUS II.

If the device isn't exploited, the self-discharge in 3-10% of the battery capacity per month. Therefore it is recommended to charge a battery once per four months.

ATTENTION! It is forbidden to store the device with the safety off (the fuse is turned clockwise to the stop).

ATTENTION! During operation (formation of electric discharge) the device consumes very high current, so the rules of operation check should be followed strictly.

Continuous operation of electroshock weapon ZEUS II is allowed only during application on the aggressor.

Charging the battery.

Use only automatic charging device (ACD) model ZS-11.1-600 to charge the LiPOL battery.

To charge the battery:

- 1 Turn the safety on, turning the fuse counter-clockwise to the stop;
- 2 Remove the handle nut;



- 3 Take the LED flashlight out;
- 4 Take the battery out from the handle;
- 5 Connect the ACD to the battery socket;
- 6 Place the ACD in the socket;



- 7 After the device is charged, take the ACD out from the socket;
- 8 Install the battery in reverse order. Position of the battery is optional.

Automatic charging device ZS-11.1-600. Technical characteristics.

- Electrical grid ~ 220V +10%, 50 Hz;
 - Charging circuit, max.: 1000 mA
 - Time of charging a fully discharged battery: 40-60 min.
- If a battery isn't fully discharged, the time of charging can be reduced.

The charging device turns off automatically after the battery is charged.

The process of charging is shown on the ACD indicator:

- *red light – the battery is being charged;
- *green light – the battery is fully charged.

ZEUS II. LED INDICATOR FOR MODELS ZEUS-L, ZEUS-M.

ZEUS II (models ZEUS-L, ZEUS-M) has a LED condition indicator that is located over the electroshock discharger activation button on the guard and is intended for informing the owner about the device operation.

The indicator works when the device is turned on (the safety is off).

The indication system shows: battery charge level; state of identification system; temporary blockage of the device operation.

The LED indicator has a 3 second long informing cycle. The first two seconds of the cycle the indicator shows the level of battery charge, on the third second of the cycle the indicator shows the indication system status.

Temporary blockage of the device is shown with frequent red flashes for 60 seconds: the instructions of electroshock discharger operation are not being followed.

*Besides, the LED indicator has a specific system of programming the identification system (see "IDENTIFICATION SYSTEM. Programming the system" section).

ZEUS II. LED INDICATOR FOR MODEL ZEUS-S.

ZEUS II (model ZEUS-S) has a LED condition indicator that is located over the electroshock discharger activation button on the guard and is intended for informing the owner about battery charge level.

LED indicator works when the device is turned on (the safety is off).

Indication system shows the battery charge level:

- LED indicator is green: battery is charged, exploitation is allowed.
- LED indicator is yellow: battery should be charged, exploitation is allowed.
- LED indicator is red: battery is discharged, should be charged. Exploitation is forbidden.

IDENTIFICATION SYSTEM (I.S.). GENERAL INFORMATION.

Electroshock batons ZEUS II (models ZEUS-L, ZEUS-M) are equipped with identification system (I.S.). Identification system allows excluding the possibility of unauthorized application of electroshock discharger, cartridge and magazines initiation for unlimited periods of time. Identifier-labels parameters are saved in the system memory (up to 32 pcs.). After the safety is taken off, control system sets an interface with a label, constantly registers its presence in the identifier slot. In case of the absence of identifier-label, the system forbids activating the electroshock discharger. **ATTENTION!** Identification system is resistant to electronic cracking.

The system includes:

- Master-card. It is a special individual electronic key that allows setting the I. S., deleting the identifier-labels that are saved in the system memory, saving the parameters of the new identifier-labels in the system memory. Master-card should be stored during the whole exploitation term. In case of card loss, it will be impossible to make changes in the I.S. settings. Master-card is replaced only by the manufacturer.
- Identifier-label with a hand belt. Allows the system to activate the electroshock discharger (the label should be in the identifier slot). The identifier-label is a highly technological electronic key that is placed in a metal pin with a hand belt.
- Identifier latch (2 positions). It is intended for identifier fixation in the latch without a possibility of removing it or with a possibility of removing it (pulling with force).

ZEUS II is sold with the Identification System (I.S.) turned off, if needed it is turned on by the owner.

Possible operation modes of I.S.:

- Mode "I.S. is off" (stored in distributional facilities). In this case the device always allows activating the electroshock discharger (I.S. doesn't control the presence of identifier in the identifier slot). In this mode the indicator blinks yellow on the third second of the informing cycle.
- Mode "I.S. is on". In this case the electroshock device allows activating the electroshock discharger only if the label is identified correctly (identification system controls the presence of the label in the identifier slot). In this mode the LED indicator blinks green on the third second of the cycle if the label is identified correctly and blinks red if the label isn't identified (label is taken out from the identifier slot).



IDENTIFICATION SYSTEM. PROGRAMMING THE SYSTEM.

Electroshock device ZEUS II (models ZEUS-L and ZEUS-M) have the identification system that allows applying the electroshock discharger only if the electronic key is in the identifier slot.

Up to 32 identifiers can be saved in the devices memory. The programming algorithm should be followed:

STEP 1. To turn the safety on, turn the fuse counter-clockwise to the stop.

STEP 2. Turn the identifier latch in the position "latch open". Turn the latch with a green mark upwards.

STEP 3. Take the identifier out from the slot.

STEP 4. Turn the safety off, turn the fuse clockwise to the stop.

STEP 5. Bring the Master-card to the antenna on the right side of the guard and hold it for 10 sec. If the Master-card is identified correctly, LED indicator flashes green.





After that the system switches to the Identifiers Programming mode: all identifiers are erased from the system`s memory, indicator starts blinking orange.

STEP 6. Take the Master-card away from the device. The indicator will keep blinking orange for 10 seconds.

STEP 7. Place the identifiers that need to be saved in the slot one at a time.

-Successful saving of the identifier`s code in the system`s memory is shown by 3 green flashes.

-While the indicator is flashing, new identifiers can`t be saved.

-If the same identifier is brought to the antenna twice, the indicator flashes red.

ATTENTION! 10 seconds after the last identifier has been saved, the system automatically exits the programming mode.

If for some reason the identifiers can`t be saved, the algorithm should be repeated from STEP 1.

After the identifiers have been saved, the safety should be switched on.

ATTENTION! When the system is in the programming mode, the indicator isn`t analyzing battery charge level, laser aiming module and electroshock discharger can`t be activated.

IDENTIFICATION SYSTEM. OPERATION MODES OF MODELS ZEUS-L, ZEUS-M.

Electroshock batons with identification system (models ZEUS-L, ZEUS-M) can operate in two identification modes:

FIRST MODE: Identification system is off. To switch to this mode delete all identifiers from the system`s memory. Identifiers are deleted according to the algorithm, described in section "IDENTIFICATION SYSTEM. PROGRAMMING THE SYSTEM". After the identifiers are deleted, do not save them in the system.

In the mode with I.S. turned off, the indicator blinks orange on the third second of the cycle. The system allows activating the electroshock discharger regardless of whether the identifiers are present or absent in the slot.

SECOND MODE: Identification system is on. To switch to this mode the identifiers should be saved in the system`s memory. The identifiers are saved according to the algorithm, described in section "IDENTIFICATION SYSTEM. PROGRAMMING THE SYSTEM". In this mode after the safety is turned off, the system starts registering the identifiers in the slot. If the identifier is taken out, the operator can`t be identified, the system doesn`t allow activating the electroshock discharger. Besides, when the electroshock discharger isn`t activated, the remote influence means can`t be applied.

Identifier latch is intended for allowing the removal of identifier from the slot. Position "identifier is blocked in the slot". In this case the latch is turned with the red mark to the top of the Guard. The latch blocks the metal holder of the identifier and doesn`t allow taking the identifier out from the slot. Can be used when the I.S. is off.

Identifier latch. Position "identifier isn`t blocked in the slot". In this case the latch is turned with the green mark to the top of the Guard. The latch isn`t blocking the metal holder of the identifier and allows taking the identifier out from the slot. Can be used with the I.S. on. It is important to use the hand belt so that if the attacker grabs the baton, the identifier is removed from the slot and stays with the operator.

Besides, the baton with the I.S. on can be stored without the identifier to prevent the unauthorized operator who doesn`t have a permission to apply the electroshock weapon from exploiting it.

The colored mark (red/green) in guard`s direction:



Correct grip on the handle with the belt:



ZEUS II. LASER AIMING MODULE.

Laser aiming module (LAM) is intended for aiming by forming a light spot on the aim that is combined with the mean point of defeat (MPD) of the upper probe of the cartridges and magazines of remote influence that are set on the high-voltage zone on the electroshock weapon. LAM is located in the guard of the electroshock weapon; LAM is unadjustable (it is regulated by the manufacturer). The output window is protected by the special glass and can be cleaned.

- Laser aiming module can be turned on only when the safety is off.
- LAM is turned on and off with a short push on the button.
- When the electroshock discharger is operating, the system turns the LAM off.
- After the safety is turned on the system saves the LAM settings (turned on/turned off) for models ZEUS-L, ZEUS-M.
- After the safety is turned off the system doesn't save the LAM settings (turned on/turned off) for model ZEUS-S.
- When the electroshock discharger is activated in model ZEUS-S the system turns the LAM off. After the electroshock discharger ends operating the LAM stays turned off.

Technical characteristics of the LAM:

- Wavelength of laser radiation, μm : 0.65;
- Power of laser radiation mW, not less than: 1;

Precautions and technical maintenance:

- *LAM has the source of laser radiation.
- *During the exploitation of the LAM avoid aiming it in the eyes.
- *During the exploitation keep the LAM clean and avoid blows. Clean the glass with a damp cloth.

ZEUS II. ZS-L-9 FLASHLIGHT.

Electroshock baton is equipped with a LED flashlight ZS-L-9. The flashlight has low energy consumption and operates from the ZEUS II battery. The flashlight is turned on by turning the flashlight handle accordingly to the information on the handle. Turning the handle to the "0" sign turns the flashlight off. Turning the handle to the "I" sign turns the flashlight on.

ZEUS II. FIRST ACTIVATION.

Before the first activation check the device and adjust the settings.

1. Charging the battery. The battery should be charged according to the rules in the section "ZEUS II. LiPOL ACCUMULATOR BATTERY."
2. Activation of the electroshock discharger. After the battery and flashlight are placed in the handle the electroshock discharger can be activated. To do this:
 - take the safety off, turn the fuse clockwise to the stop.
 - after the safety is off, the LED indicator will show the charge level of the battery and the system status (for models ZEUS-L, ZEUS-M). Electroshock batons are stored with the I.S. turned off, therefore the LED indicator blinks orange.
 - shortly press the activation button of the electroshock discharger. A sustained electric discharge appears between the control electrodes.
 - turn the laser aiming module on and off. Press the LAM button shortly. Operation of the laser aiming module is described in the section "ZEUS II. LASER AIMING MODULE".
 - turn the safety on by turning the fuse counter-clockwise to the stop.
3. Setting and checking the identification system (for models ZEUS-L, ZEUS-M). If the indication system should be used during the device exploitation, the system should be set accordingly to the recommendations described in section "IDENTIFICATION SYSTEM. PROGRAMMING THE SYSTEM". To check the correctness of I.S. operation:
 - Turn the identifier latch in the position "identifier isn't blocked in the latch".
 - Place an identifier that is saved in the system in the identifier slot.
 - To take the safety off turn the fuse clockwise to the stop.
 - Shortly press the electroshock discharger activation button. A sustained electric discharge will appear between the control electrodes.
 - Take the identifier out from the slot.
 - Shortly press the electroshock discharger activation button. A sustained electric discharge will not appear between the control electrodes – the system will block the operation of electroshock weapon after missing a signal from the identifier.
 - To turn the safety on turn the fuse counter-clockwise to the stop.
4. Checking the operation of LED flashlight. To check the operation of LED flashlight turn the handle of the flashlight counter-clockwise as described in section "ZEUS II. ZS-L-9 FLASHLIGHT".

ZEUS II. ELECTROSHOCK DISCHARGER OPERATION PRINCIPLE.

ZEUS II is equipped with the electroshock discharger that generates the current of high frequency that, when applied to an attacker or an animal, block the processes in object's nervous system and cause muscle spasms.

Proper application of the electroshock discharger doesn't endanger the organism and its vital functions, that is confirmed by the medical-biological examination.

A strong stopping and disorienting effect is achieved according to the defeat zone, duration of application and attacker's condition.

It is important to choose the defeat zone correctly. It should be as close to the central nervous system – the torso. The most vulnerable points are neck, groin, solar plexus, heart, upper part of chest and upper part of thighs.

Inertness of electroshock perception. All biological objects have different inertness of electric defeat. Because of this a short influence of less than a second of even the powerful electroshock weapons can be insufficient for a lasting (with a lasting effect after the influence is over) disorientation, loss of balance and loss of consciousness. In this case the time of influence should be increased.

Initial efficiency of influence (during the first second of the influence) depends on emotional preparedness of the attacker. Unexpected application increases efficiency of electroshock influence.

ZEUS II. CHECKING THE OPERATION OF ELECTROSHOCK DISCHARGER.

To check the operation of electroshock discharger:

-If I.S. is turned on (for models ZEUS-L, ZEUS-M), place this identifier in the identifier slot.

-To take the safety off turn the fuse clockwise to the stop.

-After the safety is taken off the indicator will show the battery charge level and the status of I.S. (for models ZEUS-L, ZEUS-M).

-Shortly press the button of electroshock discharger activation. A sustained electric discharge appears between the control electrodes.

-Place the device's working electrodes to the metal object at the distance of 5-7 mm (for example, to the scissors) and press the button (for not more than 1 second). An electric charge will flow between the object and the working electrodes.



-To turn the safety on turn the fuse counter-clockwise to the stop.

ZEUS II. EXPLOITATION AND APPLICATION IN RAIN.

-High-voltage zone of the baton has a cavity for the control electrodes. In the rainy weather this area should be protected from water. Hold the device vertically with the high-voltage zone down. ZEUS II has splash-resistant construction.

-If the attacker is wearing wet clothes, the discharge can "spread" across the surface of the clothes.

-During the application the ESD should be held closely to the defeat zone. The prominent working electrodes help to do that.

-The method of electroshock discharger activation is mandatory: firstly the working electrodes should be brought to the object, after that the ESD button should be pressed.

-Keep ZEUS II in the dry place to avoid exposing it to rain.

ZEUS II. EXPLOITATION IN THE LOW TEMPERATURE.

In the cold winter weather a "frozen" battery cannot produce a strong current that would allow the device to operate effectively. During the exploitation at negative temperatures keep the electroshock baton in a warm place.

A frozen LiPOL battery can be warmed up quickly by activating the electroshock weapon several times: blank discharge 1s. discharge/ 5s. pause.

ZEUS II. ELECTROSHOCK INFLUENCE THROUGH THE CLOTHES.

If the attacker is wearing leather clothes, the impulses of the electroshock device will penetrate it due to their energy and length.

If the attacker is wearing thick winter clothes, for example a sheepskin coat, the defeat distance and the length of the prominent electrodes will be enough for a high-voltage electroshock impulse to reach the object.

Casual clothes (jackets, shirts, sweaters) are penetrated easily.

ZEUS II. THE ORDER OF CONTACT ELECTROSHOCK APPLICATION.

To apply the electroshock discharger:

-If the I.S. is on (for models ZEUS-L, ZEUS-M), place the identifier into the identifier slot.

-To take the safety off turn the fuse clockwise to the stop.

-After the safety is taken off, the indicator will show the battery charge level and the status of I.S. (for models ZEUS-L, ZEUS-M).

-Apply the electroshock discharger on an offender: bring the working electrodes to the defeat zone as close as possible, press the button of electroshock discharger activation. Keep the working electrodes in close contact with the defeat zone for up to 3 sec. Sliding of the working electrodes across the surface is undesirable.

Attention! Efficiency of the electric blow is directly connected with the distance from the working electrodes to the defeat zone. Maximum efficiency can be reached if the electrodes are touching the attacker's body or are in proximity (2-3 mm). This recommendation is basic for electroshock weapon application and it shouldn't be disregarded.

Efficiency of the electroshock discharger operation is defined by:

-The unexpected influence on an offender with the high-voltage discharge.

-Location of the defeat zone.

-Duration of the influence.

-Psychoemotional condition of an offender.

ZEUS II. THE ORDER OF REMOTE ELECTROSHOCK APPLICATION.

Signal cartridges, cartridges of distant electric defeat, electric charge transportation units and other means of remote defeat with bayonet locks can be attached and fired from the electroshock baton. The remote influence means are installed on the high-voltage zone and are fixed with the cartridge lock. ATTENTION! Before loading a cartridge or a magazine check the absence of mechanical damages on the high-voltage zone of the electroshock baton. ATTENTION! While loading and unloading a cartridge or a magazine aim them away from yourself. ATTENTION! While working with the cartridges and the magazines use their operating manuals. The operation rules and precautionary measures are listed in their operating manuals.

The order of attaching (loading) the cartridge:

- To turn the safety on turn the fuse counter-clockwise to the stop.
- Aim the cartridge or the magazine away from yourself.
- Attach the cartridge in translational motion downward to the click (fixed with a cartridge lock).

The order of initiating the cartridge:

- To take the safety off turn the fuse clockwise to the stop.
- Aim the cartridge at the attacker.
- Initiate the cartridge. Press the ESD activation button. A laser aiming module can be turned on for aiming. The rules of LAM operation are listed in section "ZEUS II. LASER AIMING MODULE".
- In case of applying cartridges of the distant high-voltage current transportation, after initiating a cartridge hold the button of ESD activation for the high-voltage influence.

The order of detaching (unloading) the cartridge:

- To turn the safety on turn the fuse counter-clockwise to the stop.
- Shift the cartridge lock in guard's direction.
- Detach the cartridge in translational motion.

ZEUS II. MECHANICAL IMPACT INFLUENCE.

Electroshock baton has the characteristics according to the GOST 30631 for mechanical group M34 (stiffness level 11a). Mechanical blows can be made only with the operating section.

ZEUS II. TRANSPORTATION AND STORAGE.

Packed ZEUS II can be transported by all means of transport if they are protected from the direct influence of precipitation and mechanical damage in temperature range from -40°C to +50 °C.

The following exploitation is done after keeping the weapon packed in normal climate condition for not less than 6 hours.

Electroshock weapon should be stored in temperature range from +10 to +35 °C and relative humidity not more than 80% without acid, alkali and other aggressive admixtures in the air.

Time of storage in the shops – not more than 6 months.