

REMOTE CARTRIDGES FOR STUN GUNS
MODEL: REMOTE ELECTROSHOCK CARTRIDGE (KD+) FOR "ZEUS L"

User's manual
 ALSHP 040115.023

DESCRIPTION AND OPERATION

Purpose

Remote cartridge plus (KD+) for stun guns is made for remote electroshock influence.

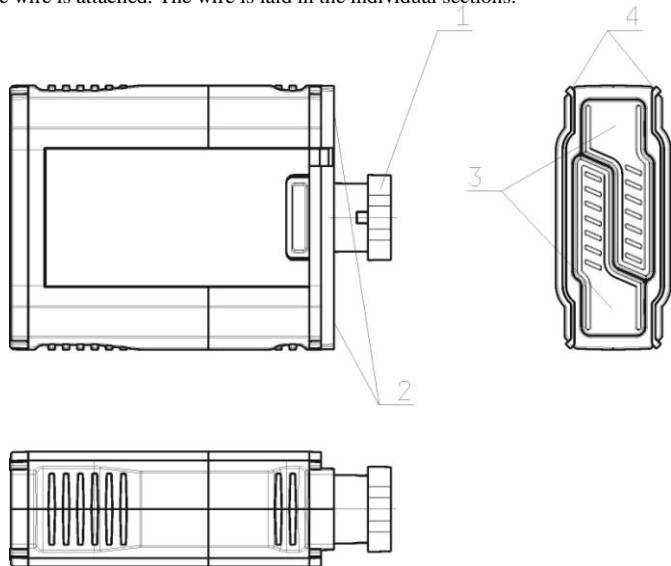
Technical characteristics

-Dimensions, mm	67,0 (± 1) x 46,8 (± 1) x 20 (± 1)
-Weight, kg	0,06 (± 0,003)
-Maximal distance for electroshock influence, m	5(±0,2) and following the aim for up to 10,0(±0,2)
-Guarantee period, years	5
-Material of the needle	Steel with coating
-Climate conditions: operational in temperature range from -20 to +50 °C and 98% humidity at +25 °C temperature	
-Medium ballistic deviation from the aiming point (at +25 °C temperature):	
*at 5m. distance, sm	15
*at 7m. distance, sm	45

Construction

Remote cartridge is made in a shock-resistant case and includes:

- bayonet mount (1), fixation element that allows setting the cartridge on stun guns;
 - contact bases (2) that come in high voltage contact with the stun gun's electrodes for cartridge initiation;
 - stopper plugs (3) that close booster channels and the wire, laid in individual sections;
 - aiming line (4) (for some ESD models);
- Two probes are located in the booster channels; with the center of gravity in front to provide the harpoon needles a stable fixation on the target. The probes are placed in the individual booster channels, have plastic feathering and a bracket to which the wire is attached. The wire is laid in the individual sections.



Operation

The cartridge is meant to be used with remote-contact stun guns according to their User's manual. The cartridges are initiated by the high-voltage electric discharge between the electrodes of a stun gun.

When used according to the User's manual, the cartridge is safe for object's life and health.

USE

Loading

Preparing the cartridge:

1. Turn on the fuse of the stun gun.
2. Place the bayonet of the cartridge in the stun gun according to the stun gun's user's manual.

Carry the stun gun with the installed cartridge in the protective case.

Initiation

1. Aim working electrodes of the cartridge in the needed direction.
2. Turn the ESD safety fuse OFF.
3. AIMING. For short distances of application (up to 3m.) one can aim intuitively. For more accurate aiming use the "aiming line" of the cartridge (for some ESD models) or laser aiming module of the stun gun. Cartridge doesn't have an adjustable sight, therefore when aiming take into account that the probes flight trajectory isn't rectilinear. The accuracy of the shot depends on the distance to the aim and the temperature (in the cold air the probes are meeting more resistance when the wire is unfolding).
4. Press the button of electroshock discharger activation. When the cartridge is initiated, the probes are pushed out from the front side of the cartridge. Probes are connected with the cartridge by the isolated wires. High-voltage electric discharge is transferred on the aim through the wires.

Unloading

1. Turn on the fuse of the stun gun.
2. Take out the bayonet of the cartridge in the stun gun according to the stun gun's user's manual.

PRECAUTIONARY FASHION

- ATTENTION! DO NOT TRY TO REPAIR OR DISASSEMBLE THE CARTRIDGE.
- ATTENTION! FOLLOW SAFETY MEASURES. WHEN MOUNTING/DISMOUNTING THE CARTRIDGE, AIM IT AWAY FROM YOURSELF.
- ATTENTION! TURN THE SAFETY FUSE ON WHEN MOUNTING/DISMOUNTING THE CARTRIDGE.
- REMOTE CARTRIDGE IS DISPENSABLE AND CANNOT BE REUSED.
- DO NOT APPLY TO THE HEAD.
- MINIMAL SAFE APPLICATION DISTANCE – 1 METER.
- KEEP AWAY FROM FIRE
- STORE IN A DRY PLACE
- STORE OUT OF REACH OF CHILDREN!

TRANSPORTATION AND STORAGE

Transportation and storage are possible in conditions that comply with group 2 of GOST 15150, in range of temperatures from -20 °C to +50 °C –climatic factors. Cartridges can be transported by all means of transport if the conditions in group "C" GOST 51908 –mechanic factors.

UTILISATION

The user can utilize the cartridge on their own:

1. Turn on the fuse of the stun gun.
2. Place the bayonet of the cartridge in the stun gun according to the stun gun's user's manual.
3. Direct the cartridge in the safe direction.
4. Turn off the fuse of the stun gun.
5. Press the discharge button on the stun gun.

The cartridge can also be utilized by the producer.

DELIVERY SET

1. Remote electroshock cartridge (KD+) for ZEUS L, ALSHP 040115.023 TU
2. User's manual (on the producer's website)
3. Packaging.

UPON DELIVERY

Guarantee

The producer guarantees that the product meets all the stated characteristics, if the user follows the instructions, listed in the current User's manual.

Guarantee period – 5 years since the date of manufacture.

For information about guarantee call: +7-495-545-53-70.

Websites:

<https://oberon-alpha.ru/>
<https://npp-oberon.ru/>