



STUN GUN  
PHANTOM 2.0



# STUNGUN PHANTOM 2.0

## PURPOSE

**Remote-contact electroshock device PHANTOM 2.0 (stungun PHANTOM 2.0)** is a powerful non-lethal weapon with two electroshock circuits designed for law enforcement officers.

Stungun PHANTOM is the means of electrical influence that allows flexibly of choosing the force of impact when repelling an attack, suppressing disobedience, or limiting the physical resistance of the offender. PHANTOM can be used both in contact and remote mode.

Remote-contact stungun PHANTOM is an effective tool for controlling the actions of offenders, allowing to promptly stop their illegal actions.



# STUNGUN PHANTOM 2.0

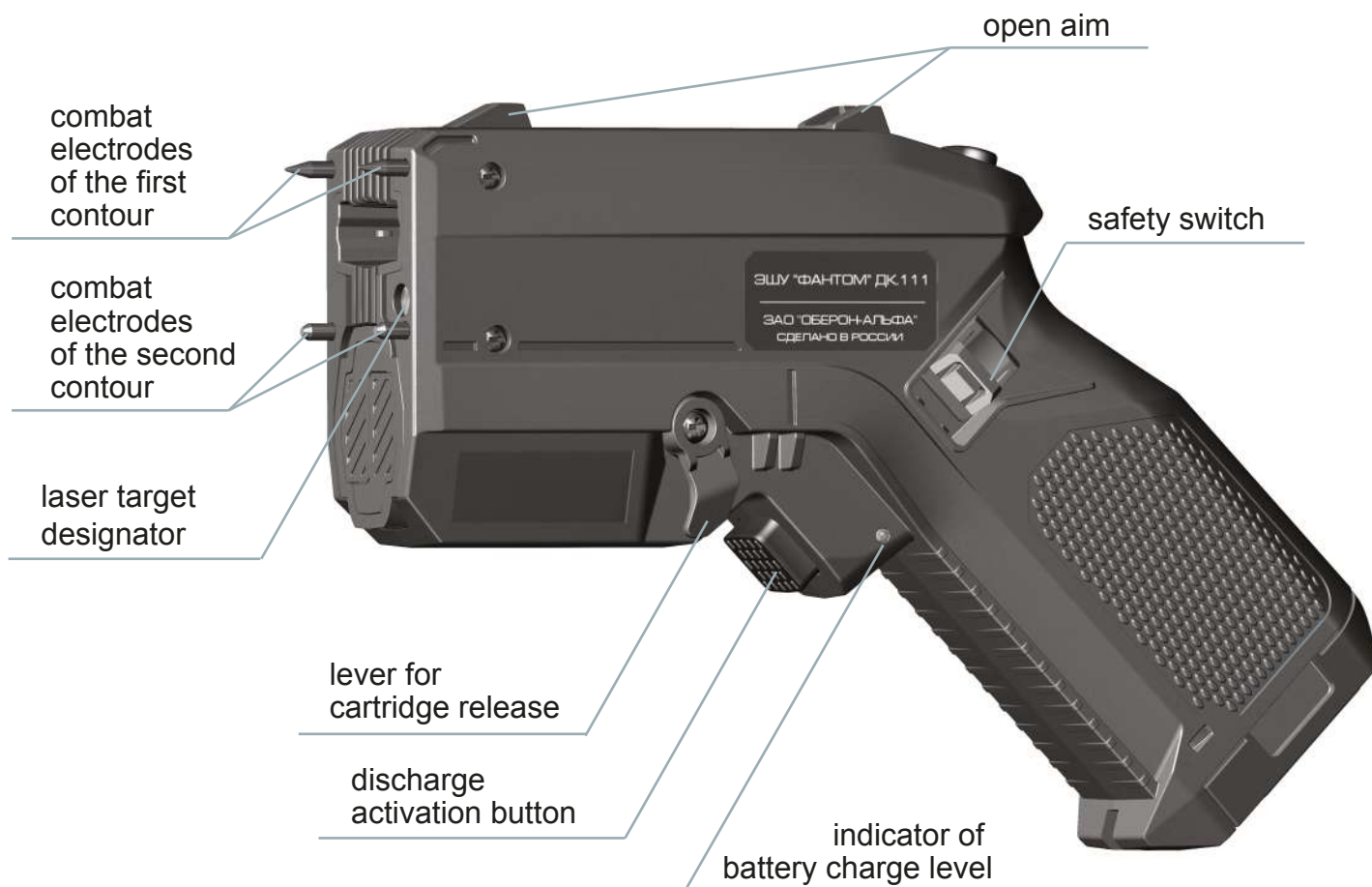
## TACTICAL SPECIFICS

Stungun PHANTOM is made in an impact-resistant case and has a sliding safety switch, a laser target designator switch, an open sight, an electroshock discharge activation button, cartridge reset levers and a LED indicator of the battery charge level.

The device has an ergonomic pistol shape, which makes it easy to aim it for remote use. At the same time, the device is compact, light in weight, and convenient for daily use, for carrying in a belt holster and for combat use.

The blank discharge zone is located in the front of the device. The control electrodes in the blank discharge zone are designed to check the operability of the device and limit the distance that the discharge travels during blank discharge. The device has a pair of pointed and a pair of rounded conical combat electrodes.

Anti-slip texture is applied to the sides and to the front of the handle to provide better grip of the weapon.



# Non-lethal electroshock weapon

## **SPECIFICS OF ELECTROSHOCK INFLUENCE**

ESD PHANTOM acts on the target with high-voltage electrical impulses that cause neuromuscular blockade. Neuromuscular blockade blocks sensory and motor nerves, and is effective for offenders with a high pain threshold (drug users who are under severe stress, trained or trained opponents). Electric effect of the stungun PHANTOM allows is capable of exercising control over the actions of the offender, depriving him of the opportunity to consciously interrupt the electroshock influence or resist during the use of the weapon.

A strong stopping and disorienting effect is achieved depending on the area of impact, the time of exposure, as well as the condition of the attacker.

It is important to choose the correct area of impact of the stungun. It should be as close as possible to the attacker's central nervous system – in the torso. The most vulnerable points are the neck, groin, solar plexus, as well as the upper chest and upper thigh. The effect produced by the electroshock discharge is significantly enhanced if the device is used in close contact between the combat electrodes and the affected area.

## **CONTACT USE**

Stungun PHANTOM can be used both in contact and remote mode. If a remote cartridge is not installed in the device, pressing the electroshock discharger (ESD) activation button initiates a blank discharge between control electrodes.

Contact use against a live target: bring the combat electrodes of the electroshock device directly to the body of the object, press and hold the ESD activation button. PHANTOM forms two high-voltage circuits with the live target.

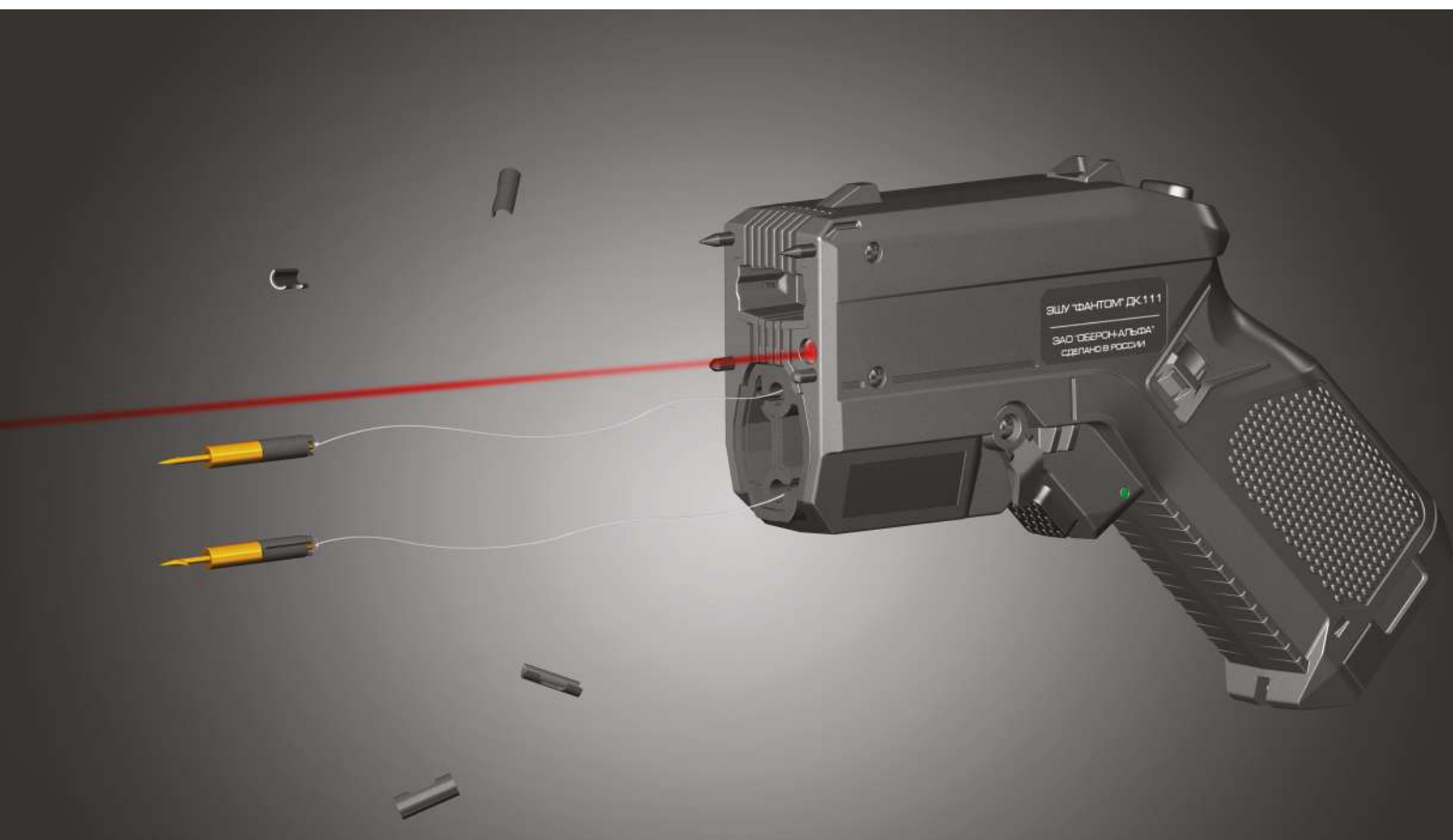
# STUNGUN PHANTOM 2.0

## REMOTE USE

For remote use of the stungun PHANTOM, it is necessary to install a remote cartridge in the device, press the power button of the electric shock arrester – this initiates a shot at the target. The minimum distance is 1 meter. The device has an open sight and a laser designator for more accurate aiming when fired from a long distance.

Holding or repeatedly pressing the ESD activation button transmits electric discharge to the target. Two high-voltage circuits of the stungun PHANTOM allow transmitting electroshock discharge to two targets simultaneously - remotely to one target and contact by bringing the combat electrodes to the second target.

To remove or replace the remote cartridge, pull the cartridge release lever located symmetrically on both sides of the device.



# Non-lethal electroshock weapon

## TECHNICAL CHARACTERISTICS

Output voltage at the electrodes, kV	in accordance with the contract
Impact power, W	in accordance with the contract
Dimensions, mm	190 (±3) x 125 (±2) x 36 (±1)
Distance between combat electrodes, mm	38
Resistance to external influences: operational in the temperature range from -20 °C to +50 °C and relative humidity up to 98% at +25 °C	
Distance between control electrodes, mm	20
Length of combat electrodes, mm	8
Cycles of operation when the battery is fully charged, min.	80
Aiming range of the cartridge, m	7
Test cycles last for 1 s. when the battery is fully charged, min	250
Battery: Removable rechargeable LiPol rechargeable battery 11.1V, 600 mAh	
Number of battery charge cycles, not less than	500
Service life of the ESD, years	5
Power consumption when the safety switch is off, no more than, mA	25
Laser target designator	yes

## DELIVERY SET

- Stungun «PHANTOM» – 1pc.
- Holster with Tek-Lok mounting system – 1pc.
- Rechargeable LIPOL battery – 1pc.
- Charger cord – 1pc.
- Wrist belt – 1pc.
- User`s manual (with warranty card and passport) – 1pc.
- Packaging – 1pc.

### Additional set

- Remote cartridges





OBERON-ALPHA

## ABOUT THE COMPANY

OBERON-ALPHA - is a Russian developer and manufacturer of non-lethal police tasers and civilian stun guns for self-defense.

OBERON-ALPHA company specializes in development, production and sale of class A special equipment for the police, as well as civilian electric self-defense weapons - powerful Class 1 electroshock devices.

### **OBERON-ALPHA offers:**

- Development and production of Class A electroshock devices for the police and legal entities with special statutory tasks.
- Development of police special equipment (including custom-made).
- Development and production of civilian electroshock devices (stunguns).
- Development and installation of protective high-voltage barriers.
- Production of smoke cartridges (signal colour smoke cartridges).
- Engineering services for design of goods of any complexity according to the order.

**ZAO «OBERON-ALPHA»**  
**Russia, Moscow**

<https://oberon-alpha.ru/>  
<https://npp-oberon.ru/>